

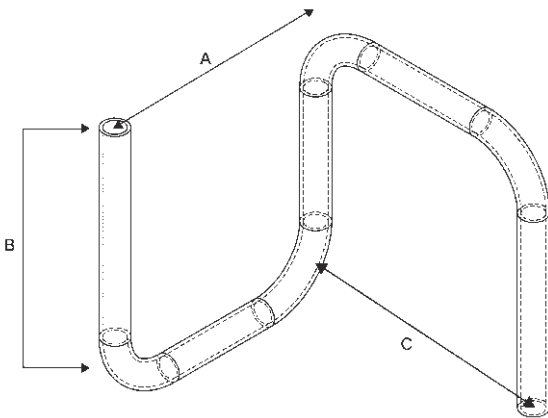


ToppPart™ – pre-bent tubes

The pre-bent ToppPart™ tubes are designed for instant installations in pneumatic and liquid applications. Hence, the installation of ToppPart™ tubes is very fast and easy. And less time in installations means savings.

ToppPart™ tubes are an alternative to places where there is no room for conventional tubing or where metal tubes cannot be installed. ToppPart™ tubes are tailored according to customer's specific needs. We can manufacture both 2D and 3D shapes using our unique state of the art CNC bending technology.

A, B and C refers to the length between bends, these can be between 120 mm – 2000 mm. We will be happy to consider the dimensions on request.



ToppPart™
Easy and fast
installation!

